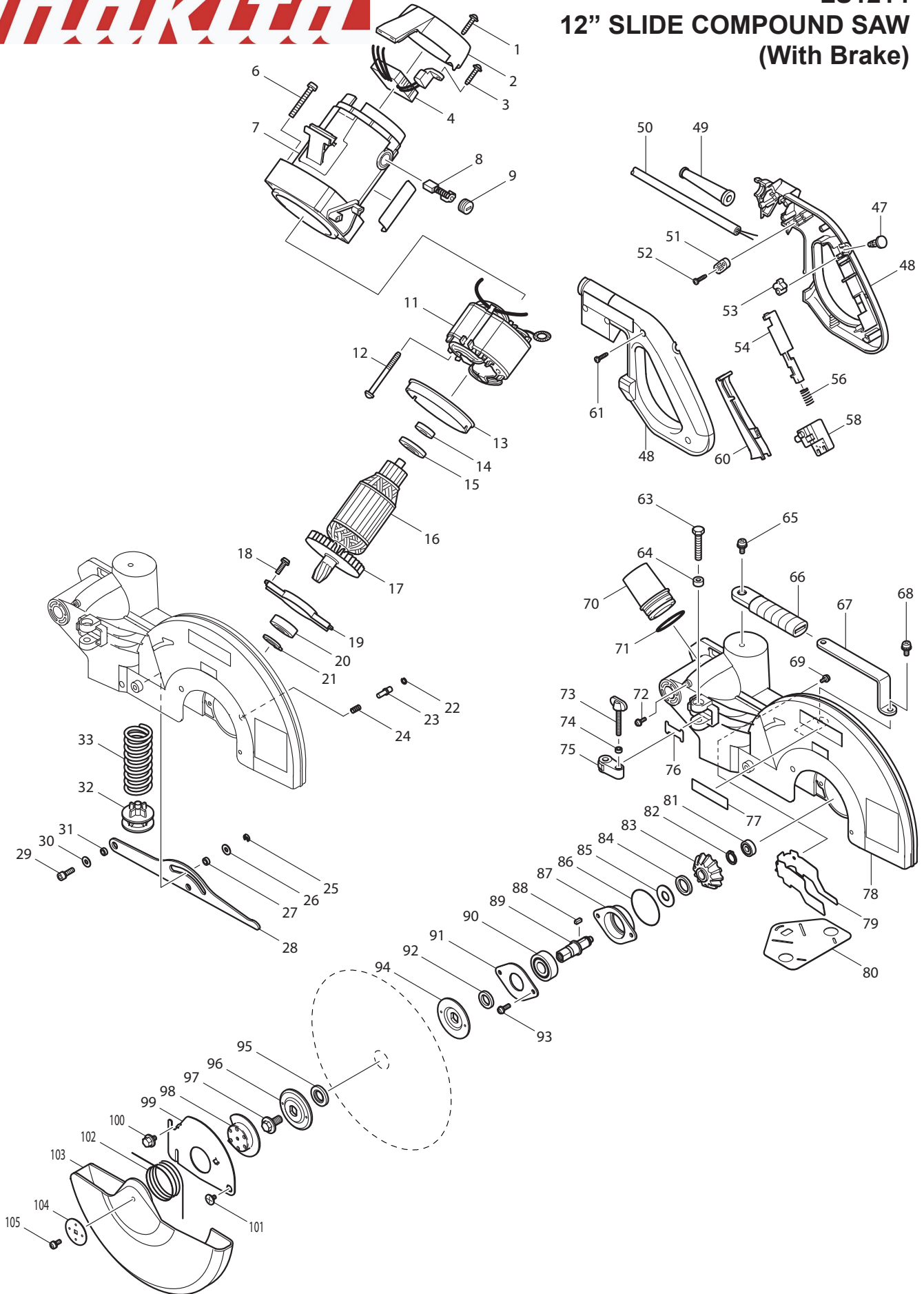
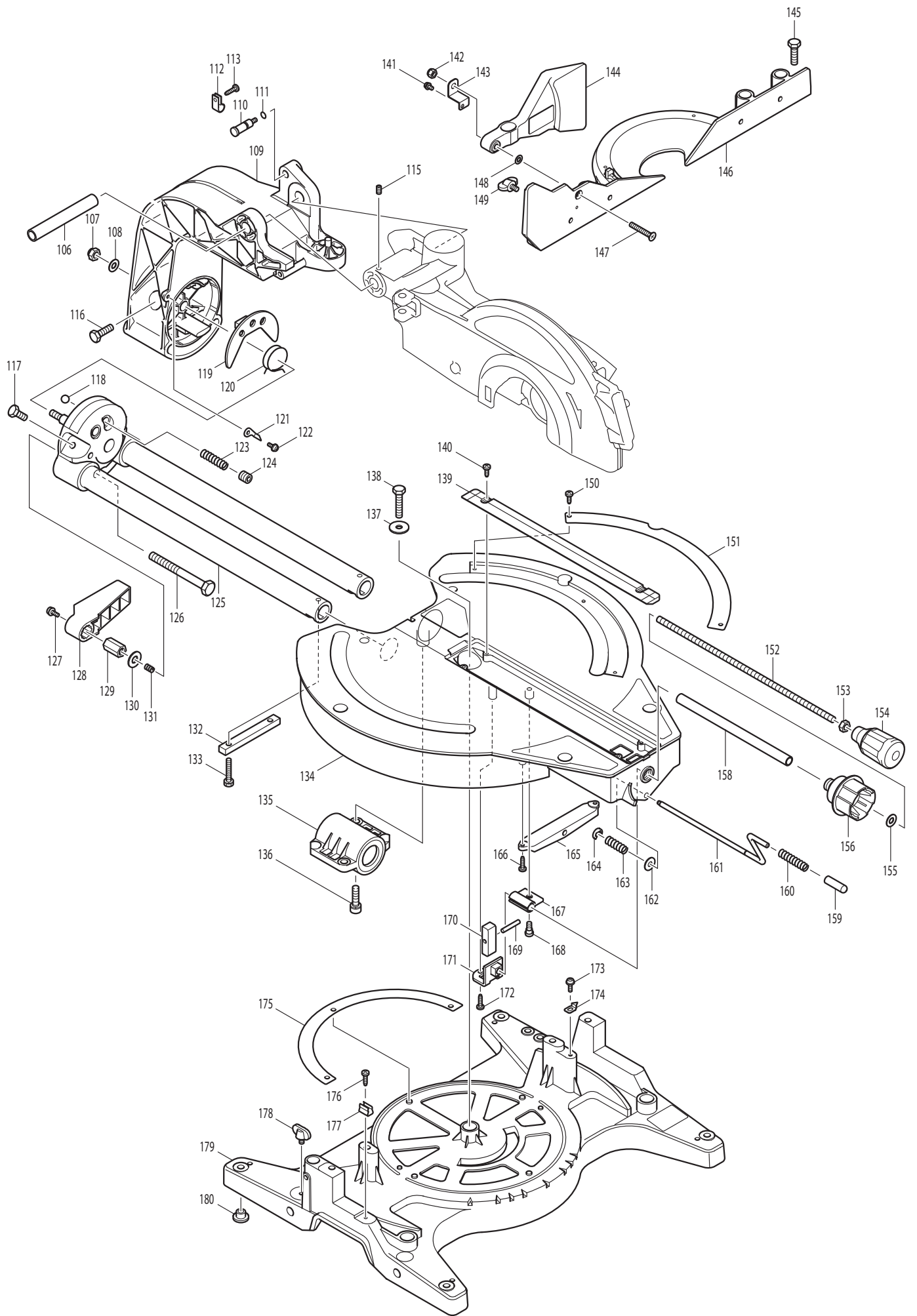




03 - 2010
LS1214
12" SLIDE COMPOUND SAW
(With Brake)





Item No	Type	Ref	Part No	Description	Qty	Unit
1			265995-6	TAPPING SCREW 4X18	2	PC.
2			416075-3	REAR COVER	1	PC.
3			265995-6	TAPPING SCREW 4X18	1	PC.
4			631237-4	CONTROLLER	1	PC.
6			911373-5	PAN HEAD SCREW M6X50	4	PC.
7			153907-0	MOTOR HOUSING COMPLETE	1	PC.
		INC.	643660-1	BRUSH HOLDER 6.5-13.5	2	PC.
8	1		181047-4	CARBON BRUSH CB-154 2PCS/SET W/O ORIGIN - N/L/A	1	SET
	2		194986-9	CARBON BRUSH CB-154 2PC/SET (W/ ORIGIN)	1	SET
9			643650-4	BRUSH HOLDER CAP 6.5-13.5	2	PC.
11			596156-0	FIELD ASS'Y 115V	1	PC.
		INC.	654020-2	RING TERMINAL	2	PC.
		INC.	654502-4	CONNECTOR P-2	2	PC.
12			266059-9	TAPPING SCREW 5X75	2	PC.
13			416264-0	BAFFLE PLATE	1	PC.
14			211061-7	BALL BEARING 6000LLB	1	PC.
15			681642-5	INSULATION WASHER	1	PC.
16			516736-6	ARMATURE ASS'Y 115V	1	PC.
		INC.		Item No. 14,15,17		
17			240001-8	FAN 80	1	PC.
18			911223-4	PAN HEAD SCREW M5X16	2	PC.
19			285686-3	BEARING RETAINER 94	1	PC.
20	1		211275-8	BALL BEARING 6003DDW	1	PC.
	2		210301-0	BALL BEARING 6003DDW	1	PC.
21			961057-5	RETAINING RING S-17	1	PC.
22			231928-3	RING SPRING 8	1	PC.
23			256633-1	PIN 6	1	PC.
24			231240-1	COMPRESSION SPRING 7	1	PC.
25			961018-5	STOP RING E-5	1	PC.
26			253804-1	FLAT WASHER 6	1	PC.
27			257163-5	RING 6	1	PC.
28			345419-9	LINK PLATE	1	PC.
29			922331-6	HEX. SOCKET HEAD BOLT M6X20	1	PC.
30			253804-1	FLAT WASHER 6	1	PC.
31			257163-5	RING 6	1	PC.
32			316470-6	SPRING HOLDER	1	PC.
33			233187-5	COMPRESSION SPRING 34	1	PC.
47			411478-6	SWITCH BUTTON	1	PC.
48			182911-2	HANDLE SET (OLD# 183894-9 - N/L/A)	1	SET
		INC.	810642-0	CAUTION LABEL	1	PC.
49			682505-8	CORD GUARD 10-90	1	PC.
50			664463-0	CORD W/PLUG 2P-14-2.5M, SJ	1	PC.
51			687052-4	STRAIN RELIEF	1	PC.
52			265995-6	TAPPING SCREW 4X18	2	PC.
53			414546-4	CAM	1	PC.
54			416000-4	LOCK OFF LEVER	1	PC.
56			231457-6	COMPRESSION SPRING 3	1	PC.
58			651923-1	SWITCH TG70B	1	PC.
60			415999-0	SWITCH LEVER	1	PC.
61			265995-6	TAPPING SCREW 4X18	6	PC.
63			921467-8	HEX. BOLT M8X45	1	PC.
64			262003-4	RUBBER RING 6	1	PC.

Item No	Type	Ref	Part No	Description	Qty	Unit
65			911323-0	PAN HEAD SCREW M6X16	1	PC.
66			421562-9	GRIP	1	PC.
67			344420-1	GRIP HOLDER	1	PC.
68			911323-0	PAN HEAD SCREW M6X16	1	PC.
69			911114-9	PAN HEAD SCREW M4X10	1	PC.
70			419277-0	DUST NOZZLE (OLD# 416133-5 - N/L/A)	1	PC.
71			213460-9	O RING 35	1	PC.
72			911113-1	PAN HEAD SCREW M4X10	1	PC.
73			265717-4	SCREW M6X43	1	PC.
74			262001-8	URETHANE RING 5	1	PC.
75			317176-9	STOPPER ARM	1	PC.
76			344045-1	STOPPER ARM PLATE	1	PC.
77	1		819064-1	MAKITA MARK	1	PC.
	2		819215-6	MAKITA LOGO LABEL	1	PC.
78	2		188380-5	BLADE CASE SET	1	SET
		INC.	817874-0	CAUTION LABEL	1	PC.
		INC.	817881-3	CAUTION LABEL	1	PC.
		INC.	817667-5	CAUTION LABEL	1	PC.
		INC.		Item No. 77 (#819215-6 MAKITA LOGO LABEL)		
79			345611-7	* GUARD PLATE (OLD# 345415-7 - N/L/A)	1	PC.
80			421916-0	* GUARD (OLD# 423332-2 - N/L/A)	1	PC.
81			211031-6	BALL BEARING 608LLB	1	PC.
82			961054-1	RETAINING RING S-14	1	PC.
83			226750-1	SPIRAL BEVEL GEAR 35	1	PC.
84			262074-1	RUBBER RING 20	1	PC.
85			267035-6	FLAT WASHER 14	1	PC.
86			213675-8	O RING 54	1	PC.
87			316473-0	BEARING BOX	1	PC.
88			254202-2	KEY 4	1	PC.
89			322989-5	SPINDLE	1	PC.
90			211278-2	BALL BEARING 6203DDW	1	PC.
91			285828-9	BEARING RETAINER 66	1	PC.
92			257022-3	RING 16	1	PC.
93			911223-4	PAN HEAD SCREW M5X16	2	PC.
94			224333-1	FLANGE 53	1	PC.
95			257060-5	RING 15.8	1	PC.
96			224333-1	FLANGE 53	1	PC.
97			265405-3	HEX. FRANGE HEAD BOLT M10X20	1	PC.
98			344473-0	CENTER PLATE	1	PC.
99			344038-8	CENTER COVER	1	PC.
100			265324-3	HEX. FLANGE HEAD BOLT M8X12	1	PC.
101			265008-3	+ FLAT HEAD SCREW I5	1	PC.
102			231613-8	TORSION SPRING 45	1	PC.
103			450131-9	* SAFETY COVER (OLD# 418614-5 - N/L/A)	1	PC.
104			253977-0	FLAT WASHER 6	1	PC.
105			911213-7	PAN HEAD SCREW M5X12	1	PC.
106			331428-4	PIN 16-113	1	PC.
107			252105-4	HEX. LOCK NUT M8-13	1	PC.
108			941201-0	FLAT WASHER 8	1	PC.
109			154780-1	* ARM COMPLETE (OLD# 153908-8 - N/L/A)	1	PC.
		INC.	816787-2	* INDICATION LABEL	1	PC.
110			322988-7	STOPPER PIN	1	PC.

Item No	Type	Ref	Part No	Description	Qty	Unit
111			213011-8	O RING 7	1	PC.
112			687095-6	STRAIN RELIEF	1	PC.
113			266026-4	TAPPING SCREW BIND CT 4X12	1	PC.
115			251961-9	H.S.SET SCREW(FLAT POINT)M6X10	1	PC.
116			265371-4	HEX. BOLT M8X30	2	PC.
117			265412-6	HEX. BOLT M8X20	2	PC.
118			216003-6	STEEL BALL 10	2	PC.
119			345418-1	GUIDE PLATE	1	PC.
120			231626-9	TORSION SPRING 28	1	PC.
121			413067-3	INDICATION PLATE	2	PC.
122			911114-9	PAN HEAD SCREW M4X10	2	PC.
123			233168-9	COMPRESSION SPRING 5	2	PC.
124			266131-7	H.S.SET SCREW(FLATPOINT)M12X12	2	PC.
		INC.	816771A7	BEVEL SCALE LABEL (31.6 DEGREE)	1	PC.
125			151459-5	ARM HOLDER COMPLETE	1	PC.
126			251662-9	HEX. BOLT M10X100	1	PC.
127			911113-1	PAN HEAD SCREW M4X10	1	PC.
128			416006-2	LEVER 100	1	PC.
129			252144-4	HEX. NUT M10-17	1	PC.
130			253024-7	FLAT WASHER 10	1	PC.
131			231266-3	COMPRESSION SPRING 5	1	PC.
132			152542-1	SQUARE ROD COMPLETE	1	PC.
		INC.	263005-3	RUBBER PIN 6	1	PC.
133			921356-7	HEX. BOLT M6X35	2	PC.
134			153832-5	TURN BASE COMPLETE	1	PC.
		INC.	211444-1	LINEAR BALL BEARING 3064	1	PC.
		INC.	219002-7	BEARING 30	1	PC.
		INC.	262048-2	FELT RING 30	2	PC.
		INC.	263005-3	RUBBER PIN 6	1	PC.
		INC.	343676-3	CAP	1	PC.
		INC.	817283-3	CAUTION LABEL	2	PC.
135			152540-5	BEARING BOX B COMPLETE	1	PC.
		INC.	211444-1	LINEAR BALL BEARING 3064	1	PC.
		INC.	262048-2	FELT RING 30	2	PC.
		INC.	343676-3	CAP	2	PC.
		INC.	316837-8	BEARING BOX (B)	1	PC.
136			922451-6	HEX. SOCKET HEAD BOLT M8X30	2	PC.
137			253852-0	FLAT WASHER 8	1	PC.
138			265442-7	HEX. BOLT M8X40	1	PC.
139			415209-5	KERF BOARD	2	PC.
140			266026-4	TAPPING SCREW BIND CT 4X12	4	PC.
141			911108-4	PAN HEAD SCREW M4X8	1	PC.
142			252014-7	HEX. LOCK NUT M6-10	1	PC.
143			344463-3	SUB FENCE PLATE	1	PC.
144			153893-5	SUB FENCE COMPLETE	1	PC.
		INC.	810858-7	CAUTION LABEL	1	PC.
145			921451-3	HEX. BOLT M8X30	4	PC.
146			317757-9	GUIDE FENCE	1	PC.
147			912357-6	COUNTERSUNK HEAD SCREW M6X35	1	PC.
148			253715-0	FLAT WASHER 6	1	PC.
149			251887-5	SCREW M6X10	1	PC.
150			266026-4	TAPPING SCREW BIND CT 4X12	2	PC.

Item No	Type	Ref	Part No	Description	Qty	Unit
151			816326A8	MITER SCALE PLATE (31.6D)	1	PC.
152			266132-5	SCREW M8X320	1	PC.
153			931402-8	HEX. NUT M8	1	PC.
154			271314-6	GRIP 40	1	PC.
155			941201-0	FLAT WASHER 8	1	PC.
156			152541-3	KNOB 48 COMPLETE	1	PC.
158			331491-7	PIN 9-200	1	PC.
159			421563-7	CAP 10	1	PC.
160			322924-3	COIL SPRING	1	PC.
161			322909-9	LOCK PIN	1	PC.
162			253804-1	FLAT WASHER 6	1	PC.
163			231307-5	COMPRESSION SPRING 6	1	PC.
164			961018-5	STOP RING E-5	1	PC.
165			316899-6	PIN HOLDER	1	PC.
166			266034-5	TAPPING SCREW CT 4X16	2	PC.
167			344411-2	SLIDE STOPPER	1	PC.
168			251267-5	+ PAN HEAD SCREW I6	1	PC.
169			256196-7	PIN 5	1	PC.
170			331493-3	TURN STOPPER	1	PC.
171			344412-0	STOPPER HOLDER	1	PC.
172			266034-5	TAPPING SCREW CT 4X16	1	PC.
173			266026-4	TAPPING SCREW BIND CT 4X12	1	PC.
174			816128-2	POINTER	1	PC.
175			344477-2	SLIDE PLATE	2	PC.
176			266034-5	TAPPING SCREW CT 4X16	1	PC.
177			232075-3	LEAF SPRING	1	PC.
178			251887-5	SCREW M6X10	2	PC.
179	1		153833-3	BASE COMPLETE	1	PC.
		INC.	817837-6	CAUTION LABEL (EN ONLY)	1	PC.
	2		153837-5	BASE COMPLETE	1	PC.
		INC.	817838-4	CAUTION LABEL (EN/FR)	1	PC.
180			286212-1	CAP 20	4	PC.
200			941202-8	* FLAT WASHER 8	4	PC.

ACCESSORIES

- See catalogue or visit www.makita.ca for other optional accessories -

A01			122523-9	DUST BAG ASS'Y	1	PC.
		INC.	410602-8	FASTENER	1	PC.
A02			122540-9	VERTICAL VISE ASS'Y	1	PC.
		INC.	251370-2	+ PAN HEAD SCREW I5	1	PC.
		INC.	251887-5	SCREW M6X10	1	PC.
		INC.	253804-1	FLAT WASHER 6	1	PC.
		INC.	271303-1	KNOB 40	1	PC.
		INC.	316938-2	VISE ARM	1	PC.
		INC.	322983-7	VISE ROD	1	PC.
		INC.	343651-9	VISE PLATE	1	PC.
A03			153899-3	SUB-FENCE R COMPLETE	1	PC.
		INC.	810877-3	CAUTION LABEL	1	PC.
A04			411478-6	SWITCH BUTTON	2	PC.
A05			762001-3	TRIANGULAR RULE	1	PC.
A06			251887-5	SCREW M6X10 (F/ HOLDER)	2	PC.
A07			322932-4	HOLDER 255	2	PC.

Item No	Type	Ref	Part No	Description	Qty	Unit
A08			A-85472	12" C.T.SAW BLADE 60T	1	PC.
			A-93712	12" C.T SAW BLADE 60T	1	PC.
			721536-3	12" C.T.SAW BLADE 70T - BULK	1	PC.
			A-94801	12" ATAF MITRE SAW BLADE 80T	1	PC.
A09			782212-4	SOCKET WRENCH 13	1	PC.
A10			416368-8	ELBOW	1	PC.
A11			122470-4	HORIZONTAL VISE ASSY	1	PC.
	INC.		271297-0	KNOB 45	1	PC.
	INC.		344099-8	GUARD PLATE	1	PC.
	INC.		253744-3	WASHER	1	PC.
	INC.		253047-5	WASHER	1	PC.
	INC.		911317-5	SCREW M6 X 14	1	PC.
	INC.		286236-7	CAP	1	PC.
	INC.		322209-7	VICE NUT	1	PC.
	INC.		154431-6	VICE ARM COM (Special Order Item)	1	PC.
	INC.		316952-8	VICE PLATE (Special Order Item)	1	PC.
A12			192628-9	CROWN MOLDING STOPPER SET	1	PC.
A13			193051-1	KERF BLOCK SET	1	PC.
A14			194061-1	PORTABLE MITRE SAW STAND	1	PC.
				- See Parts breakdown 194061-1		
A15			194943-7	SLIDE MITRESAW STAND	1	PC.
				- See Partsbreakdown 194943-7		
A16			194175-6	DUST BOX - See Parts breakdown 194175-6	1	PC.